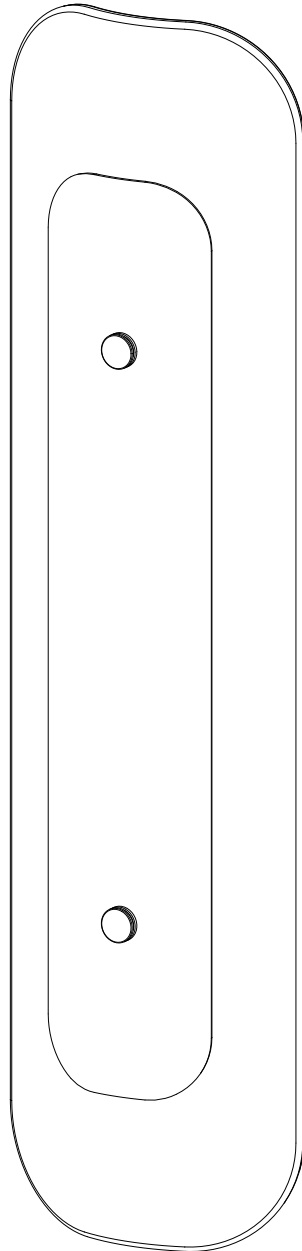


CONTOUR WALL

Installation Guide



!

Please handle with care and wear gloves at all times during Assembly and installation to avoid damaging components.

TECHNICAL

Illumination
Integrated LED
Dimmable

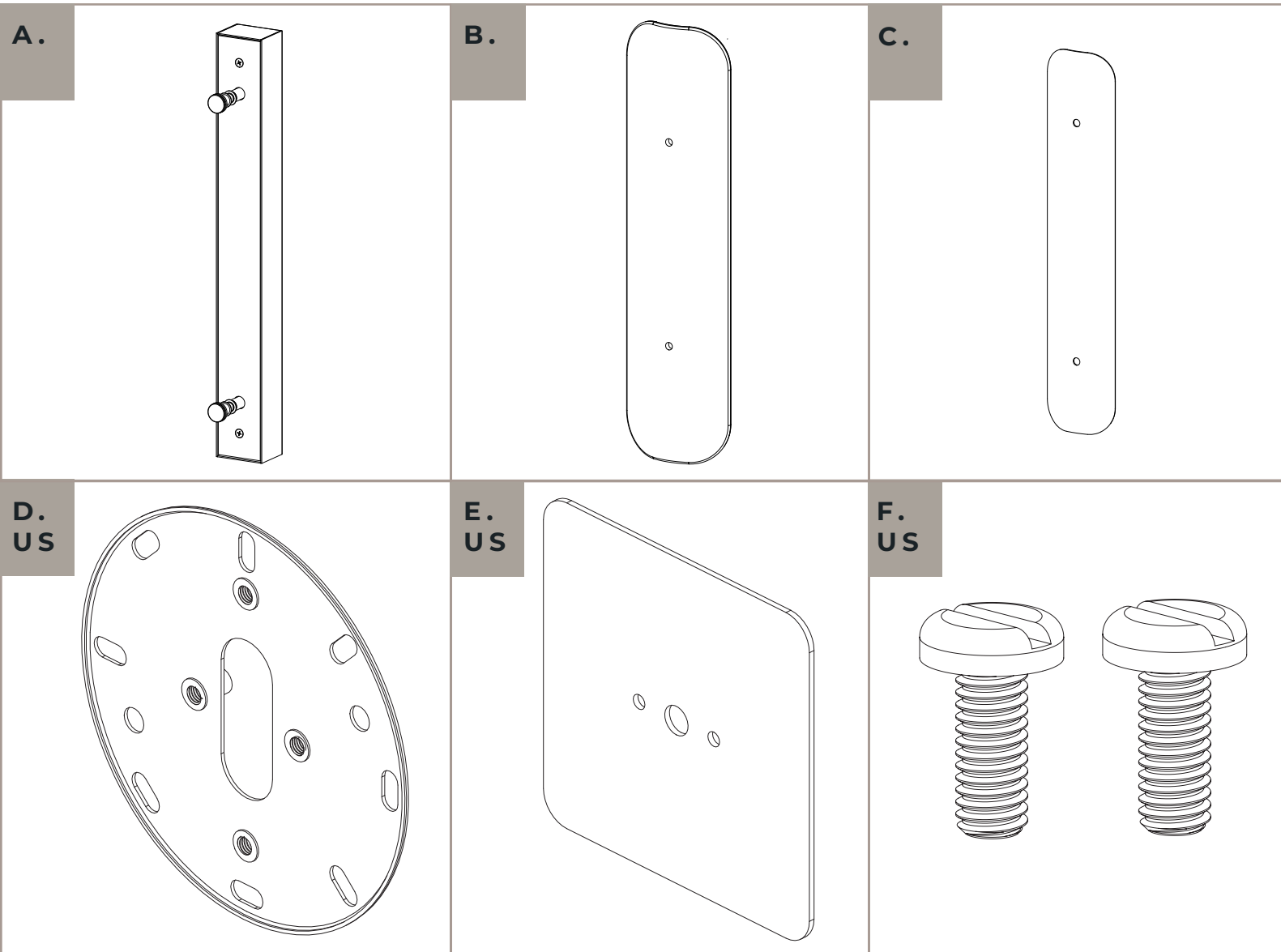
Wattage
8w (2700k)

Weight
7kg
(15.5lbs)

PARTS & COMPONENTS

A - Contour Body
B - Contour Glass
C - Contour Shield

D. US Adaptor Plate
E. US Cover Plate
F. Cover plate Fixings

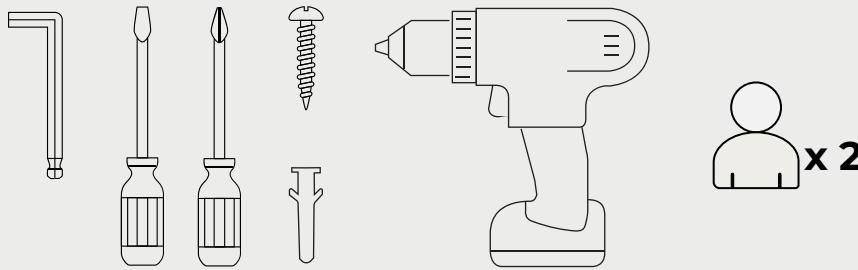


- All nuts and bolts required for assembling the light are included.



BEFORE INSTALLATION

- Check that you have all components before starting the installation.
 - Installation must be carried out by a qualified electrician.
 - A minimum of two people is required to install a pendant light.
- Check that the ceiling or wall fixings are suitable and strong enough to support the weight of the light fixture.
 - You will need these specific tools for a successful installation.



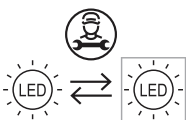
IP44

The Contour Wall light is designed for use in dry and damp indoor locations only. This product is unsuitable for wet and outdoor locations.

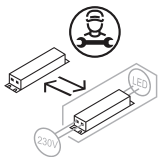


If the supplied cable of this luminaire is damaged, it shall be exclusively replaced by the manufacturer or his service agent or a similar qualified person in order to avoid a hazard.

This product is considered to be a “containing product” in the sense of Regulations (EU) 2019/2020 and (EU) 2019/2015.



The LED light source contained in this luminaire shall only be replaced by the manufacturer or his service agent or a similar qualified person, must be of equal or higher energy rating. Full electrical, mechanical, thermal and optical functionality must be restored.



Control gear contained in this luminaire shall only be replaced by the manufacturer or his service agent or a similar qualified person.

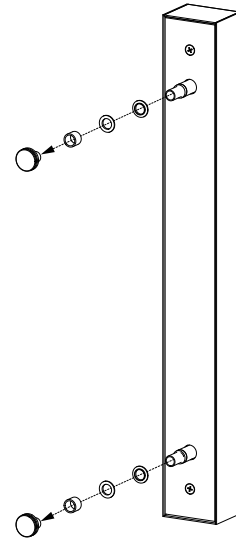
ENERGY

This product contains a LED light source of energy efficiency class F <https://eprel.ec.europa.eu/screen/product/lightsources/2110650>

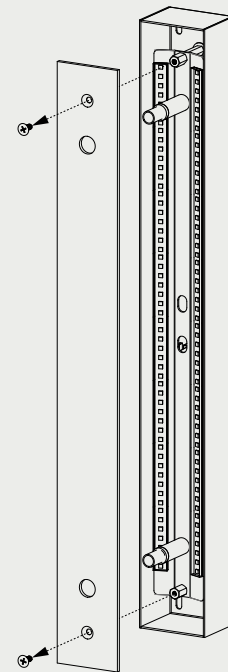


Used electrical and electronic products should not be mixed with general household waste. For proper treatment, recovery and recycling, please take this product(s) to designated collection points where it will be accepted free of charge.
CTO Lighting is a member of the WEEE producer compliance scheme.
Registration number: WEE/AG0005ZR

1. Remove Thumb Screw, Coupler and Washers from Contour Body(A).

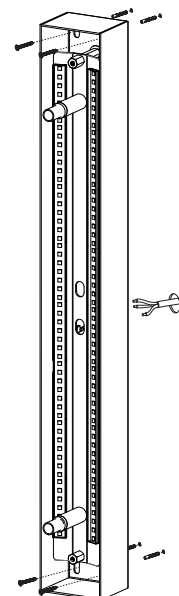


2. Remove the Diffuser from the body.



230 v

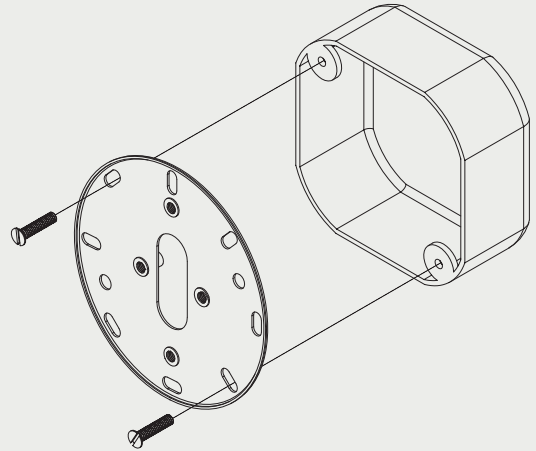
3. **A.** Make electrical connections, colour matching to the cables exiting from the back of the fixing.
B. Fix to the wall using suitable fixings x4(Not Supplied).



110v US

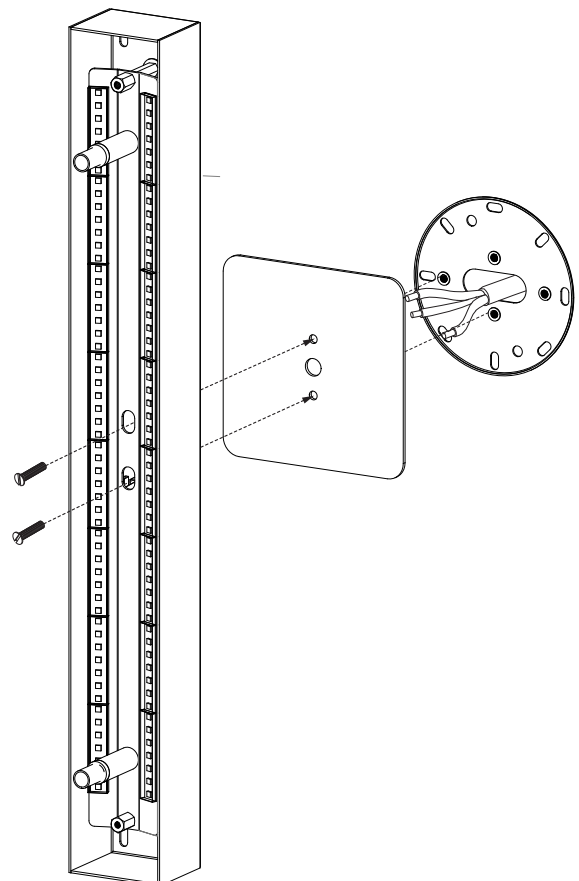
- 3.1** Securely fix the US adapter plate(D) to junction box ensuring that the three central holes

(Screws not included)

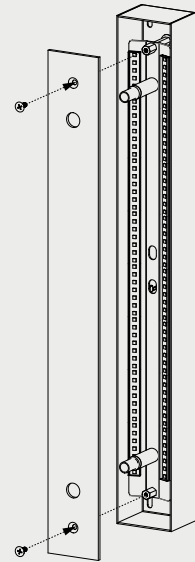
**110v US**

- 3.2** Make the electrical connections ensuring all wires are colour matched.

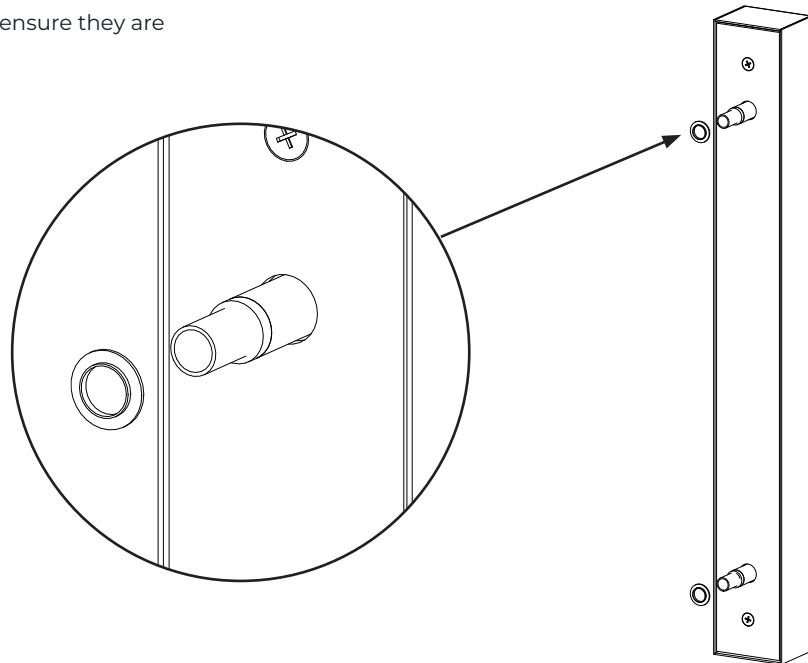
Secure the fixing to the junction box adaptor with the cover plate(E) in-between, using screws provided (F).



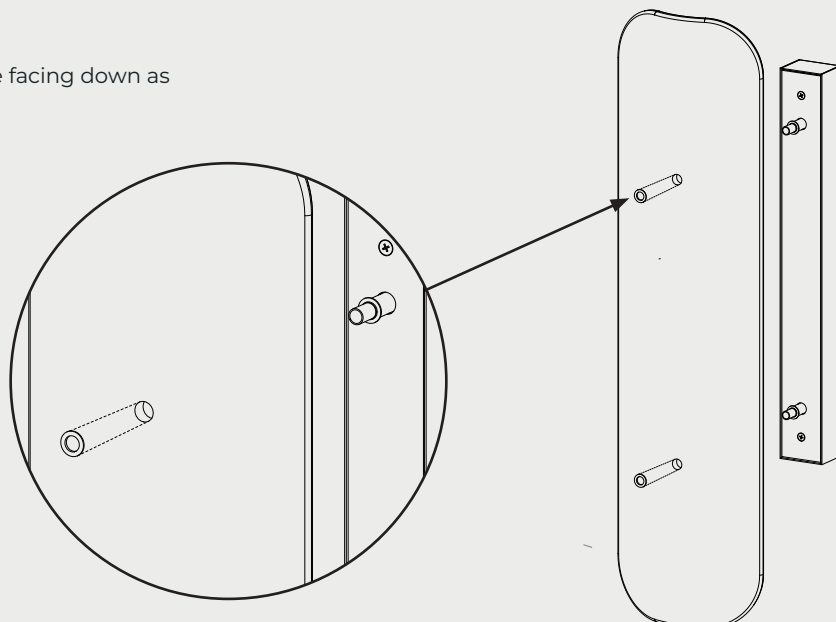
4. Re-attach the Diffuser.



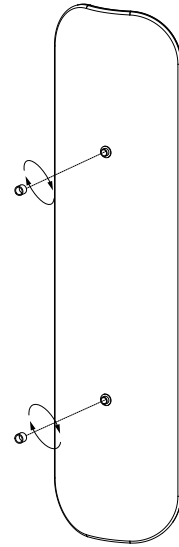
5. Place the 2 washers on the threads, ensure they are facing up as pictured.



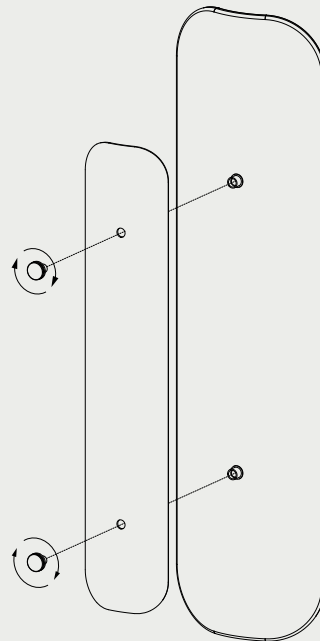
6. Place the glass (B) onto the threads.
Then put the washers on so they are facing down as pictured.



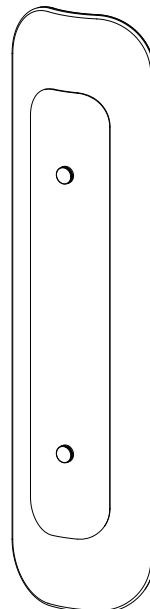
7. Tighten the Coupler onto the glass. Ensure glass feels rigid, **do not over-tighten**.



8. Align the holes on the shield (C) with the couplers on the glass and tighten in place using the thumb turns.



9. Test fitting.



MAINTENANCE

Cleaning

Use a soft dry cloth to clean. If any marks remain clean the area using a damp soft cloth and dry afterwards with a soft cloth

Repairs

Contact
CTO Lighting

Warranty

Please visit
www.ctolighting.co.uk/warranty for CTO warranty policy

Certification

 CE UK CA IP44